

PARTS & INSTALLATION INSTRUCTIONS

MEYER SNOW PLOW MOUNTING

1984 & Later FORD BRONCO,

F150, F250, F350 4x4 VEHICLES

IMPORTANT NOTICE

End user must be given this instruction sheet prior to delivery of this Snow Plow.

The equipment you have just purchased should only be used on vehicles equipped with the Manufacturer's Snow Plow Preparation Packages. Snow Plowing without the original Snow Plow Preparation Package may damage your vehicle and the added weight to the equipment may impair the operation and control of the vehicle. Snow Plowing with a vehicle that the manufacturer does not recommend for that purpose may void your new vehicle warranty. If your vehicle is not originally equipped with the Snow Plow Package, additional parts may be necessary before snow plowing. Owners of these vehicles should consult their dealers before purchase or installation of such parts. CAUTION: the installation, on any vehicle, of these parts is not a full substitute for the original equipment Snow Plow Preparation Package.

Warning: Lift Arm extends beyond bumper of vehicle. To minimize damage from a front-end collision, Lift Arm should be removed from vehicle when Snow Plow is removed.

PARTS LIST

ITEM	PART NO.	QTY.	DESCRIPTION
	17081	1	MOUNTING CARTON
1	11007	1	• Lift Frame
2	11235	1	• Side Member, LH (Replaces 10777)
3	11234	1	• Side Member, RH (Replaces 10778)
4	10773	1	• Clevis Frame
5	10514	1	• Lift Arm
6	10774	2	• Strap
7	11013	4	• Bumper Brackets ('84 - '86)
8	11180	1	• Trim Clip, R.H. ('87 & Later)
9	11181	1	• Trim Clip, L.H. ('87 & Later)
10	11182	2	• Trim Piece ('87 & Later)
	08560	1	• Hardware Bag
11	22086	4	•• Bolt, 1/4-20 x 1" (Black)
12	20066	8	•• Bolt H 3/8-16 x 1-1/4" Gr. 5
13	20140	2	•• Bolt H 5/8-11 x 1-3/4" Gr. 5
14	20141	8	•• Bolt H 5/8-11 x 2" Gr. 5
15	20144	1	•• Bolt H 5/8-11 x 2-3/4" Gr. 5
16	20147	2	•• Bolt H 5/8-11 x 3-1/2" Gr. 5
17	20164	2	•• Bolt H 3/4-10 x 2" Gr. 5
18	20166	2	•• Bolt H 3/4-10 x 2-1/2" Gr. 5
19	14595	2	•• Special Bolt, 3/4"
20	20351	2	•• Flatwasher 1/4"
21	20357	10	•• Flatwasher 5/8"
22	20303	4	•• Locknut 1/4-20
23	20305	8	•• Locknut 3/8-16
24	20309	13	•• Locknut 5/8-11
25	20310	6	•• Locknut 3/4-10
26	22099	2	•• Locknut 12mm x 1 .75p
27	10797	1	•• Spacer
11" Sector		15" Sector	
Part No.	Qty.	Part No.	Qty.
16288	1	06249	1
12326	1	12793	1
13306	1	13319	1
07017	3	07017	4
08166	1	08341	1
09119	2	09119	2
11101	2	11101	2
22083	2	22083	2
09122	1	09125	1
09124	3	09124	4
09916	1	09916	1
08201	2	08201	2
12816	2	12816	2
20005	2	20005	2
20312	2	20312	2

Parts indented are included in the carton, bag or assembly under which they are indented.

Meyer Products reserves the right, under its continuing product improvement program, to change construction or design details, specifications and prices without notice or without incurring any obligation.

GENERAL INFORMATION

CAUTION: Always disconnect battery before beginning installation.

DO NOT BURN holes or **WELD** vehicle frame. This may cause frame failure.

After first use, retighten all mounting bolt connections to specified torque. All mounting bolt connections to be checked periodically for tightness.

Locknuts are furnished **DO NOT** tighten bolts and nuts until installation is complete (unless otherwise specified), then be sure to tighten all attaching parts per specified torque chart.

NOTE: It is important that the Meyer harness, all wires from the Meyer light switch, and all other electrical wires be routed around hot or moving engine parts, and any sharp metal. Protection must be provided to guard against wire damage at these points. All excess or loose wires must be neatly secured using wire ties.

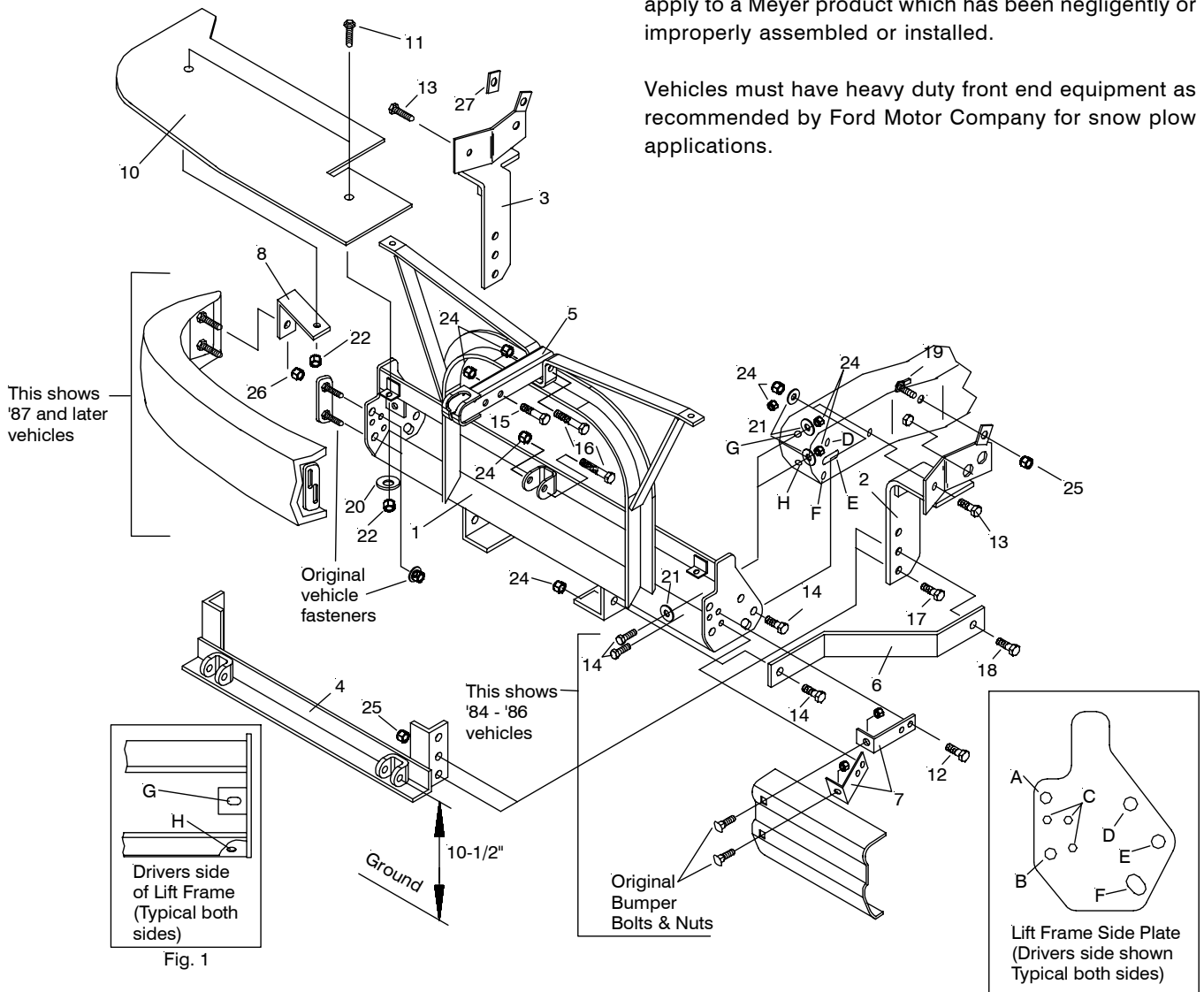
Check contents against the parts list to determine all are correct and included, and also to familiarize yourself with them.

SAFETY PRECAUTIONS should be used when **Hydraulic Unit is in OPERATION** and plow is in a **RAISED** position. **Lower plow to ground when vehicle is PARKED.**

OVERHAUL and **SERVICE INFORMATION** are covered on separate instructions.

Follow these instructions explicitly. Warranty does not apply to a Meyer product which has been negligently or improperly assembled or installed.

Vehicles must have heavy duty front end equipment as recommended by Ford Motor Company for snow plow applications.



WARNING: This mounting is not designed for installation on Ford Bronco and F-150 vehicles with 1-A stabilizer bar. (Part of handling package option on vehicles with 3550 lb. front suspension).




Vehicles must have heavy duty front end equipment as recommended by Ford Motor Company, for snow plow applications .

- 1984 & later Bronco - 3800lb . front suspension
- 1984 & later F-150 - 3800 lb. front suspension
- 1984 & later F-250 - 4600 lb. front suspension
- 1984 & later F-350 - 4600 lb. front suspension
- F-350 w/Diesel - 5000 lb. front suspension

INSTALLATION INSTRUCTIONS

- A.** Remove front bumper, retain all hardware. On '87 and later trucks, the Bumper Bracket will remain attached to the bumper.
- B.** For '84-'86 vehicles, install Lift Frame (1) using 5/8 x 2" Bolts (14), Flatwashers (21) and Locknuts (24) at holes "E", "G", and "H" of Lift Frame and vehicle frame. See Fig. 1 and Fig. 2. Note that an additional Flatwasher (21) is used at slotted hole "G" of Lift Frame (1). For '87 and later vehicles, install Lift Frame (1) using 5/8 x 2" Bolts (14), Flatwashers (21) and Locknuts (24) at holes "D", "E" and "F" . Ream hole "D" in vehicle frame to 11/16". See Fig. 2. Note that an additional Flatwasher (21) is used at slotted hole "F" of Lift Frame (1).
- C.** Insert special 3/4 Bolt (19) in slotted hole in vehicle frame to hold Side Members (2, 3) in place with 3/4 Nut (25) . Use Spacer (27) on passenger side . Do not tighten.
- D.** Attach Strap (6) to Lift Frame (1) with 5/8 x 2 Bolt (14) and Locknut (24).
- E.** Maintain 10-1/2" ground clearance to center of hinge pin hole . Install Clevis Frame (4) to Side Members (2, 3) using 3/4 x 2 Bolt (17) and 3/4 Locknut (25). Attach Strap (6) to Side Member (2, 3) using center hole only, with 3/4 x 2-1/2 Bolt (18) and Locknut (25). After the Clevis Frame (4) is installed at its proper height, cut off the part of the Sidemembers (2&3) which may extend below the Clevis Frame(4).
- F.** Before tightening lift frame bolts, pull top of lift frame forward to take out the slack in the bolt holes. Tighten all bolts per specified torque chart, leaving the Side-members (2 & 3) loose until after Step G is completed.
- G.** Make certain Side Members are up against bottom of frame, then use small hole in Side Members (2 & 3) as a guide to ream hole in vehicle frame using 11/16" drill. Install 5/8 x 1-3/4 Bolt (13) 5/8 Flatwasher (21) and 5/8 Locknut (24) . Tighten to proper torque.
- H.** Assemble Lift Arm (5) to Lift Frame (1) with 5/8 x 3-1/2 Bolt (16) and 5/8 Locknut (24) . Attach Electro-touch unit to rear hole of Lift Arm (5) using 5/8 x 2-3/4 Bolt (15) and 5/8" Locknut (24) and to clevis using 5/8 x 3-1/2 Bolt (16) and Locknut (24).
- I.** To attach bumper on '84 - '86 trucks, first attach Bumper Brackets (7) to Lift Frame (1) at holes B and C using 3/8 x 1-1 /4" Bolts (12) and 3/8" Locknuts (23). The bumper can now be attached using original bumper bolts and nuts. The Trim Pieces (110) and Clips (8 & 9) will not be used . To install bumper on '87 and later vehicles, first attach Trim Clips (8 & 9) to stud inside end of bumper using 12mm Locknut (26) . Place bumper in position and attach to Lift Frame at holes "A" and "B" using original vehicle fasteners. Place Trim Pieces (10) in position and mark and drill 1/4" holes. Attach using 1/4 x 1 " Black Bolts (11), Flatwashers (20) and Locknuts (22).
- J.** Install hydraulic system and snow plow lights per separate instructions .
- K.** Pre-assemble Moldboard . A-Frame and Sector per separate instructions .
- L.** Connect A-Frame to Clevis Frame using Hinge Pins (28) and Hair Pin Cotter (29) .
- M.** Hook the A-Frame chain to Lift Arm (5) allowing sufficient slack to enable the moldboard to follow ground contour while plowing .

TORQUE CHART FOOT LBS.

Bolt Nut Size	Gr. 2 	Gr. 5 	Gr. 8 
1/4 - 20	4 - 5		
5/16 - 18	9 - 11		
3/8 - 16	17 - 20	26 - 29	
7/16 - 14		42 - 46	60 - 66
1/2 - 13		64 - 72	90 - 100
5/8 - 11		127 - 141	179 - 198
3/4 - 10		227 - 251	

Meyer Products assumes no responsibility for installations not made in accordance with these instructions.